

Square Aluminum Poles

Size: 4", 5", 6"

The United Pole Products Series Square aluminum poles are built from high strength aluminum Square tube and are available side drilled for arm mounted area lighting luminaires or with tenon mounts for flood and post top luminaires. Typical area lighting applications include retail centers, industrial parks, schools and universities, public transit and airports, office buildings and medical facilities. Mounting heights of 10 to 30 feet can be used based on selected luminaire application.

Specifications and Features:Pole

(ACCESSORIES PURCHASED SEPARATELY)

Specifications:

The pole shaft is extruded from seamless 6061-T6 aluminum. Conforms to ASTM F1554 Grade 55.

Finish:

Textured Architectural Bronze Powdercoat Finish, Baked to Ensure Maximum Paint Adhesion, Hardness and Durability.

Anchor Bolts:

Anchor Bolts are not Included, Sized Based on Pole Data Charts for the Selected Pole Size.

Base Cover:

Poles are Provided With a Two-Piece Formed aluminum Base Cover that is Easily Assembled and Fitted Over Pole Base.

Pole Length:

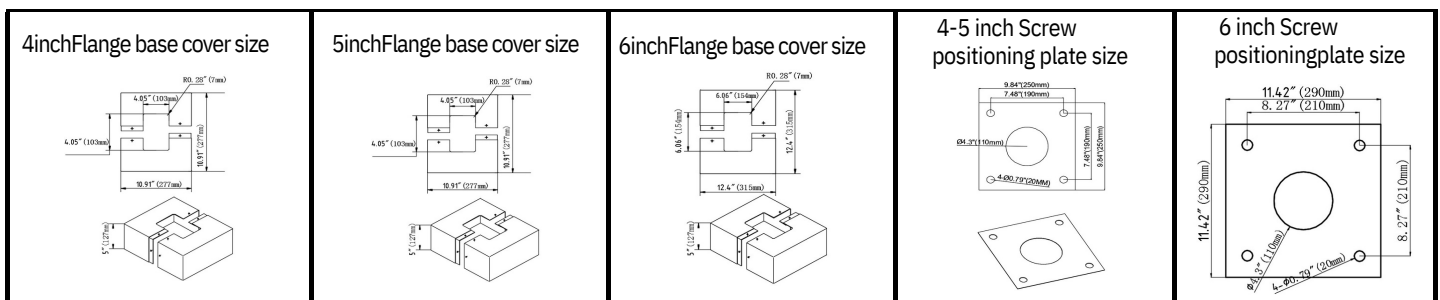
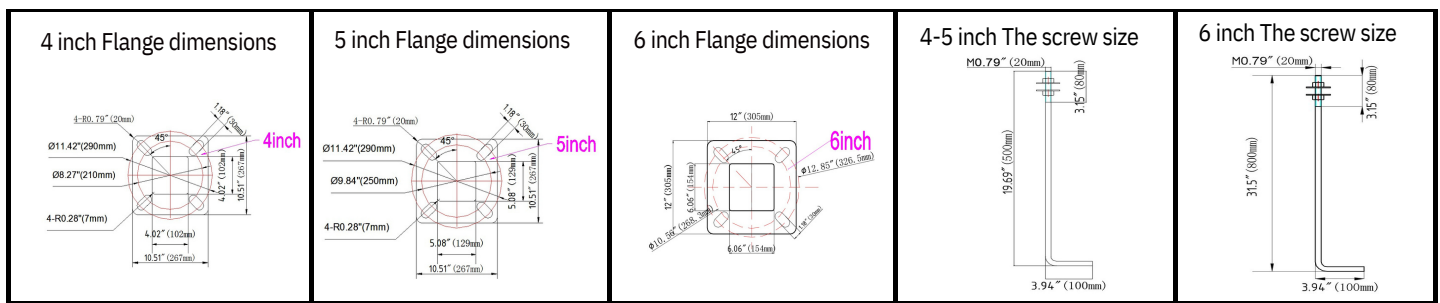
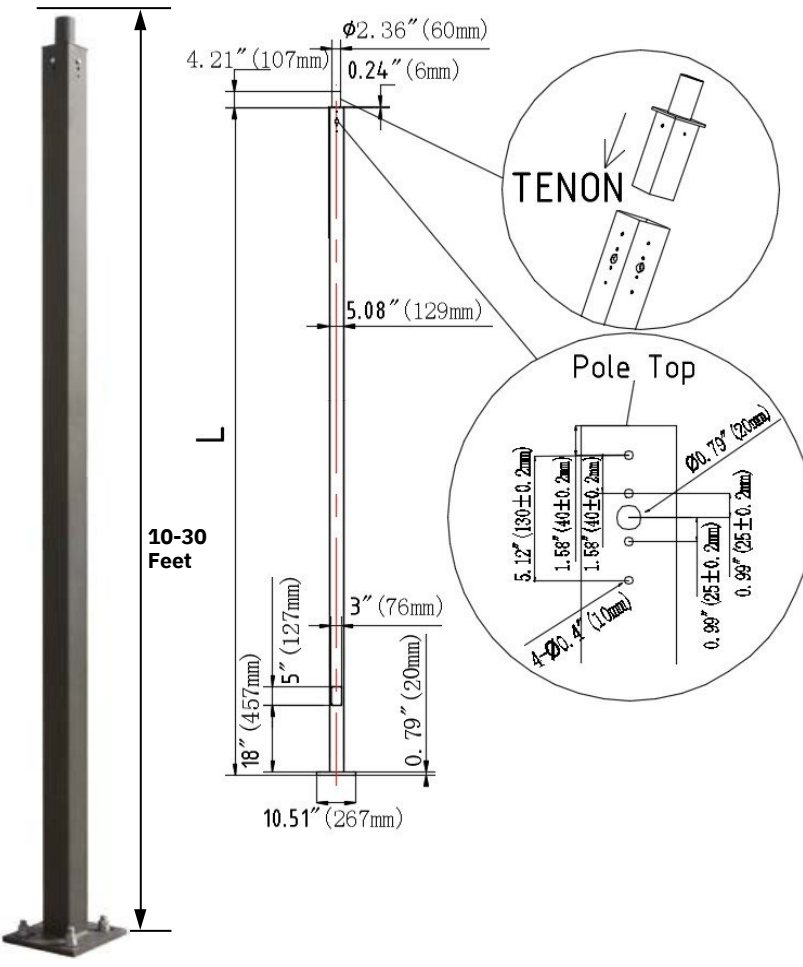
Poles are Available in Standard Lengths as Shown in the Order Matrix. Poles can be Custom Cut to Order. Consult Factory.

Mounting Options:

Standard Length Poles Include 2 3/8" OD Tenon, Side Drilled 4@90 Degrees, Polycarbonate Top Cover and Hole Plugs for Unused Drilling Locations.

Cut To Order Poles can be Side Drilled 2@180 Degrees or 4@90 Degrees, Includes Polycarbonate Top Cover and Hole Plugs for Unused Drilling Locations. Cut To Order Poles May Also Be Ordered With 2 3/8" OD Tenons for Use With Post Top Decorative Luminaires, Flood/Area Slip Fitter Fixtures, or Any of a Wide Variety of Pole Top Mounting Accessories.

Our standard equipment is to make a top adapter with 2.5 inches. There is no opening on the top of the light pole. If ARM installation is needed, the top adapter shall be removed and holes shall be opened on the wall of the light pole. Finally, seal the top with a plastic rain cover.



Size: 4", 5", 6"

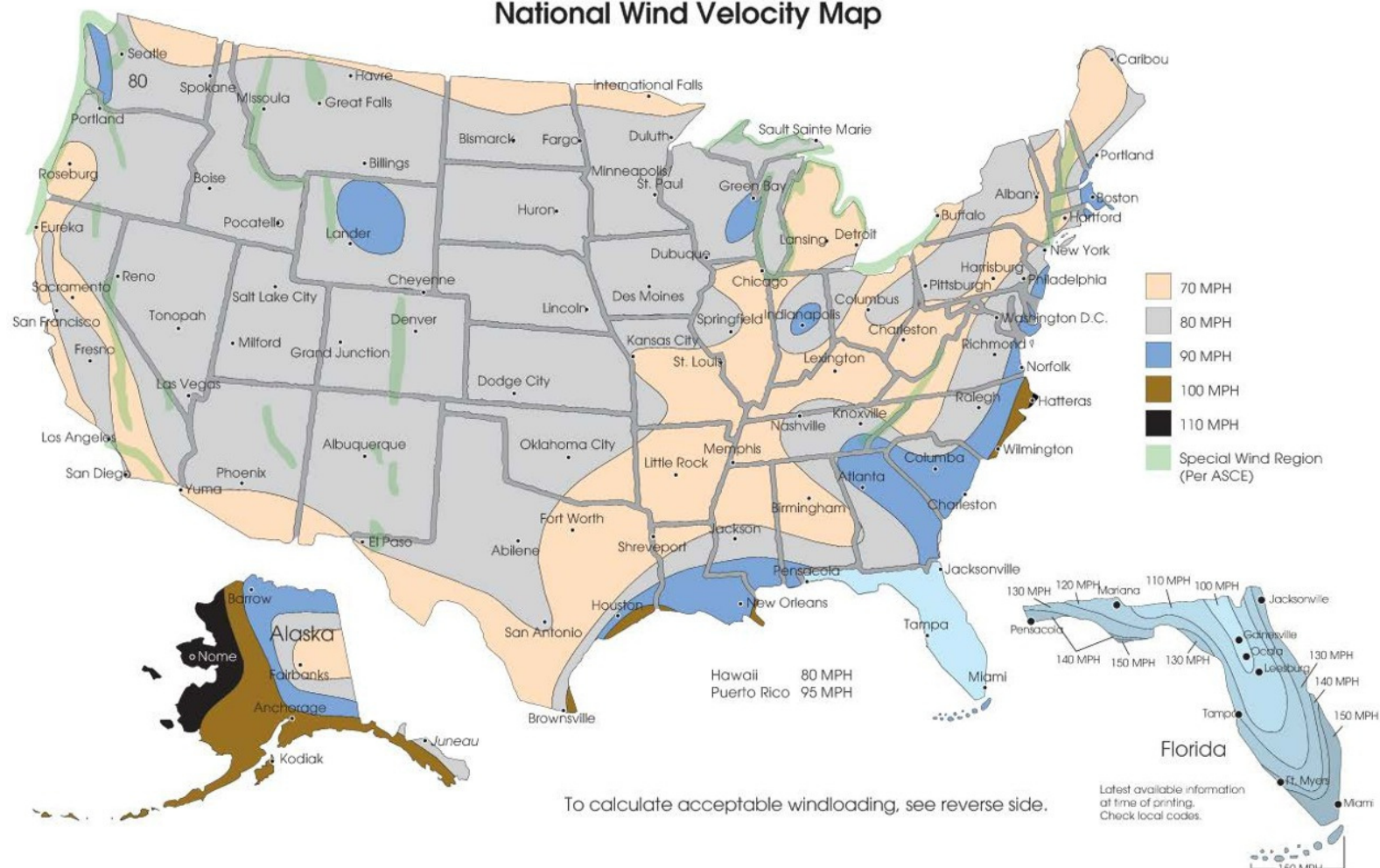
Specifications:

Specification type	10FT	15FT	20FT	25FT	30FT
UPP-SA10FP4-125-D-T	L= 3.0 (m)	L= 4.6 (m)	L= 6.1 (m)	L= 7.6 (m)	L= 9.1 (m)
UPP-SA15FP4-125-D-T					
UPP-SA20FP4-125-D-T					
UPP-SA25FP5-188(125/250)-D-T					
UPP-SA30FP6-188(250)-D-T					

Dimension data:

Catalog #	Mt.height	Wallthickness	Shaftsize	Bolt projection	Pole weight	EPA 80	EPA 90	EPA 100	EPA 110	EPA 120
UPP-SA10FP4-125-D-T	10 ft.	0.125 in.	4x4 in.	2.75 in.	31 lbs.	13.5	10.3	7.9	6.9	5.3
UPP-SA15FP4-125-D-T	15 ft.	0.125 in.	4x4 in.	2.75 in.	40 lbs.	7.3	5.1	3.4	2.8	1.9
UPP-SA20FP4-125-D-T	20 ft.	0.125 in.	4x4 in.	2.75 in.	51 lbs.	3.2	1.6	0.5	N/A	N/A
UPP-SA25FP5188(125/250)-D-T	25 ft.	0.188(0.125/0.25)	5x5 in.	2.75 in.	113lbs.	6.5	3.6	1.5	0.6	N/A
UPP-SA30FP6-188(250)-D-T	30 ft.	0.188(0.25)	6x6 in.	2.75 in.	126lbs.	10.7	6.4	3	1.4	N/A

National Wind Velocity Map



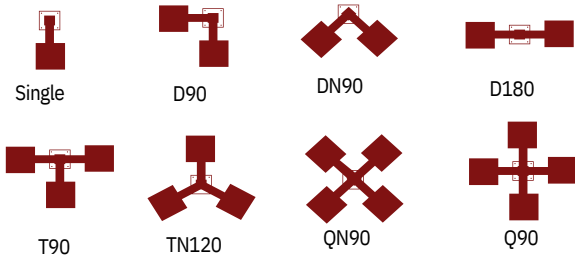
Square Aluminum Poles

Size: 4", 5", 6"

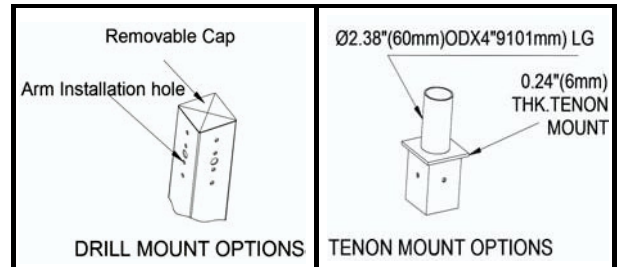
ORDERING EXAMPLE: UPP-SA10FP4-125-D-T

UPP	SA	10FT	4	125	D	T
Company	Product	Height	Size	Wall Thickness	Finish	Mounting
United Pole Products	Square aluminum pole	10FT (3.0M)	4 (4X4in.) 5 (5X5in.) 6 (6X6in.)	125 (0.125inch)	D Dark Bronze	2.5 inch adapter
		15FT (4.6M)		188 (0.188inch)		
		20FT (6.1M)		250 (0.250inch)		
		25FT (7.6M)				
		30FT (9.1M)				

Fixture Configurations:



Light pole top:



Installation:

1. Dig a hole in the installation position of the lamp pole. Fixed four fastener fittings according to the hole position of lamp pole and poured with cement concrete. (as shown in the figure)

6" ANCHORAGE GUIDE

4" 5" ANCHORAGE GUIDE

2. Install 4 screws onto the stick and adjust to same water level, then place the square plate and screw tightly. Install the cover at the bottom of pole. (as shown in the figure)

3"X5" HAND HOLE COVER

Specifications	L	W	H
10-15FT	19.69"(500mm)	19.69"(500mm)	23.62"(600mm)
20-25FT	23.62"(600mm)	23.62"(600mm)	27.56"(700mm)
30FT	27.56"(700mm)	27.56"(700mm)	39.37"(1000mm)

Foundation reference specification