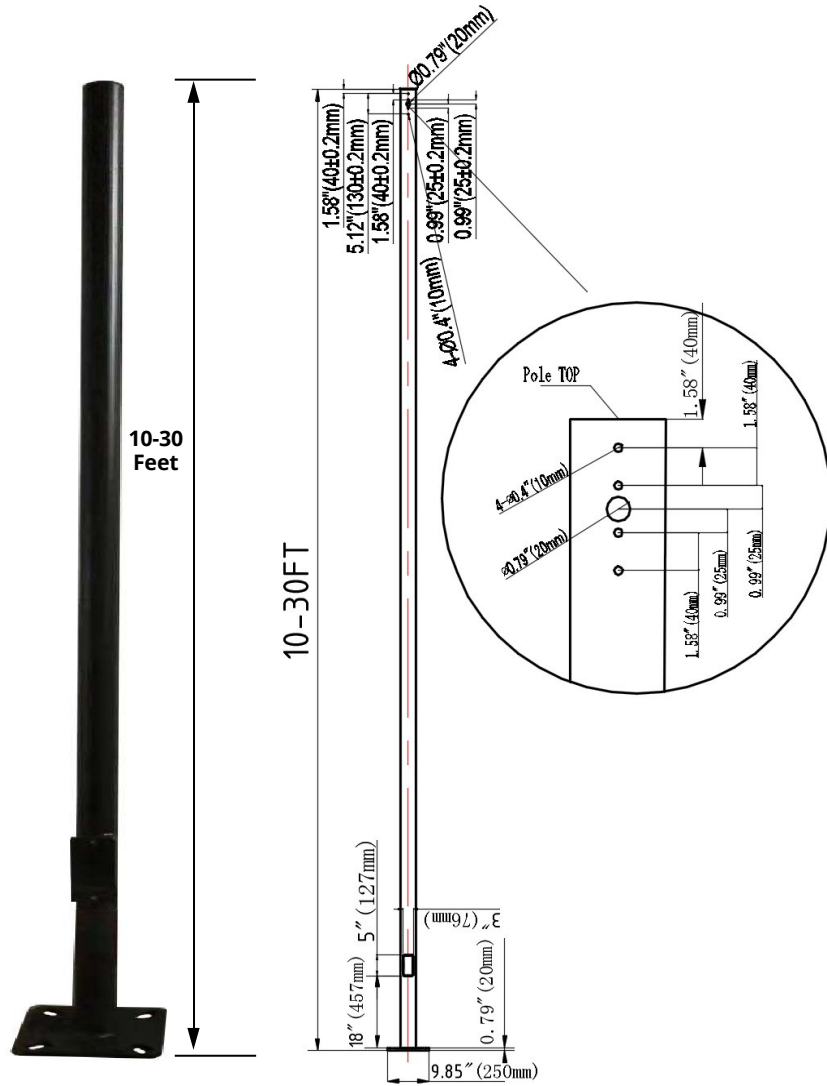


Round Steel Poles

Size: 3", 4", 5"



The United Pole Products Series Round Steel poles are built from high strength Steel Round tube and are available side drilled for arm mounted area lighting luminaires or with tenon mounts for flood and post top luminaires. Typical area lighting applications include retail centers, industrial parks, schools and universities, public transit and airports, office buildings and medical facilities. Mounting heights of 10 to 30 feet can be used based on selected luminaire application.

Specifications and Features:Pole

(ACCESSORIES PURCHASED SEPARATELY)

Specifications:

Conforms to ASTM-A 500 Grade B: Minimum Yield Strength of 46,000 PSI.

Finish:

Textured Architectural Bronze Powdercoat Finish, Baked to Ensure Maximum Paint Adhesion, Hardness and Durability.

Anchor Bolts:

Anchor Bolts are not Included, Sized Based on Pole Data Charts for the Selected Pole Size.

Base Cover:

Poles are Provided With a Two-Piece Formed Steel Base Cover that is Easily Assembled and Fitted Over Pole Base.

Pole Length:

Poles are Available in Standard Lengths as Shown in the Order Matrix. Poles can be Custom Cut to Order. Consult Factory.

Mounting Options:

Standard Length Poles Include 2 1/4" OD Tenon, Side Drilled 2@180 Degrees, Polycarbonate Top Cover and Hole Plugs for Unused Drilling Locations.

Cut To Order Poles can be Side Drilled for 2@180 Degrees, Includes Polycarbonate Top Cover and Hole Plugs for Unused Drilling Locations.

Cut To Order Poles May Also Be Ordered With 2 1/4" OD Tenons for Use With Post Top Decorative Luminaires, Flood/Area Slip Fitter Fixtures, or Any of a Wide Variety of Pole Top Mounting Accessories.

3inchFlange dimensions	4inchFlange dimensions	5inchFlange dimensions	3inchFlange base cover size	4inchFlange base cover size	5inchFlange base cover size

Specifications:

Specification type	10FT	15FT	20FT	25FT	30FT
UPP-RS10FP3-11G-D					
UPP-RS20FP4-11G-D					
UPP-RS25FP4-11G-D	L= 3.0(m)	L= 4.6 (m)	L= 6.1 (m)	L= 7.6 (m)	L= 9.1 (m)
UPP-RS30FP5-11G-D					

Round Steel Poles

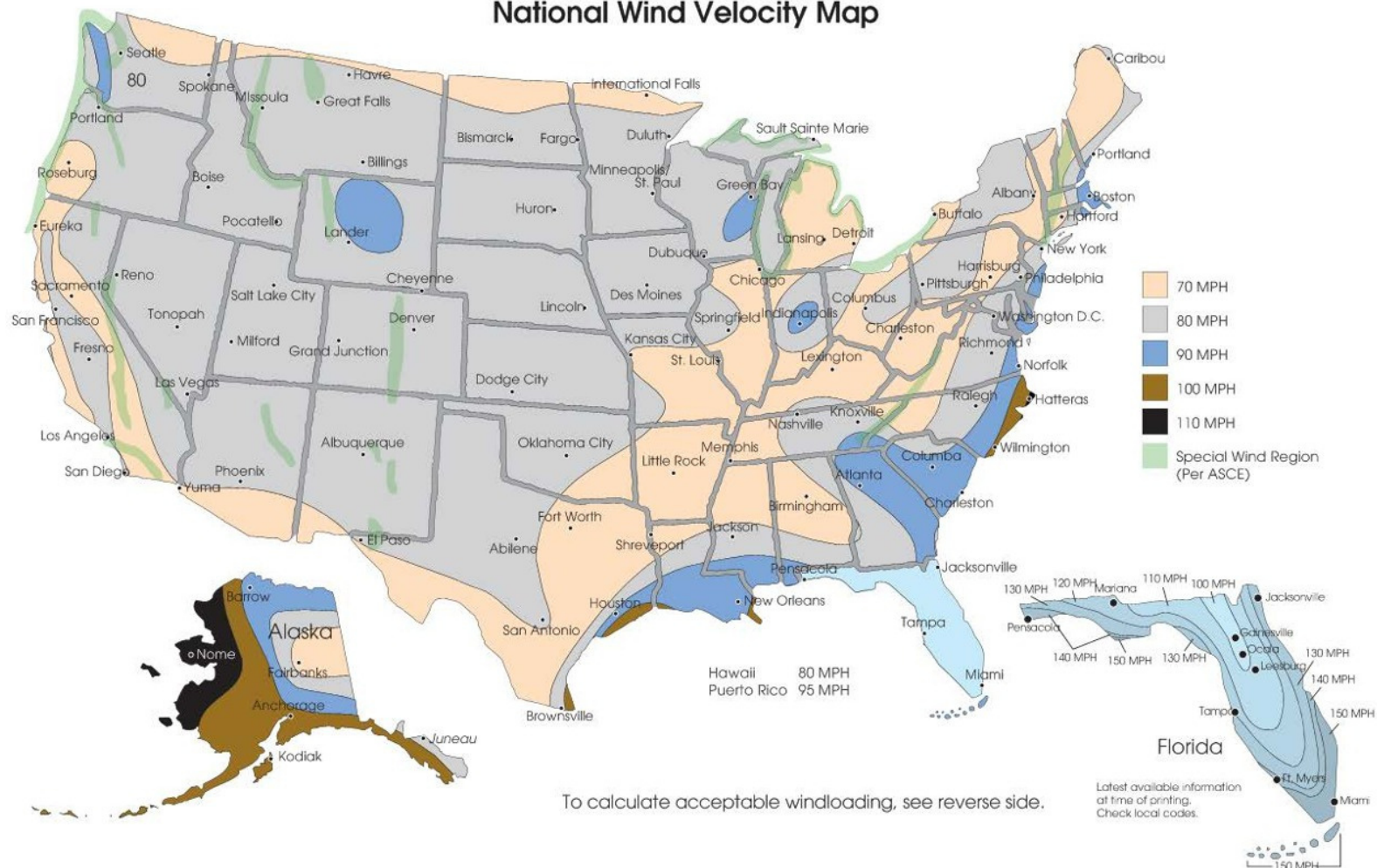
Size: 3", 4", 5"

Dimension data:

ness

Catalog #	Mt. height	Wall Thickness	Shaftsize	Poleweight	Bolt projection	EPA 70	EPA 80	EPA 90	EPA 100	EPA 110	EPA 120
UPP-RS10FP3-11G-D	10 ft.	11gauge	3 in	46 lbs.	2.75in.	28.2	23.5	20.1	14.4	13.3	11.6
UPP-RS15FP4-11G-D	15 ft.	11gauge	4 in	90 lbs.	2.75in.	18.2	15.5	13.1	11.5	9.9	7.4
UPP-RS20FP4-11G-D	20 ft.	11gauge	4 in	117lbs.	2.75in.	12.2	10.3	9	7.2	6	4.6
UPP-RS25FP4-11G-D	25 ft.	11gauge	4 in	139lbs.	2.75in.	11.9	8.9	7.7	6.1	5.6	4.2
UPP-RS30FP5-11G-D	30 ft.	11gauge	5 in	180lbs.	2.75in.	9.2	7.4	6.1	5.8	4.8	3.2

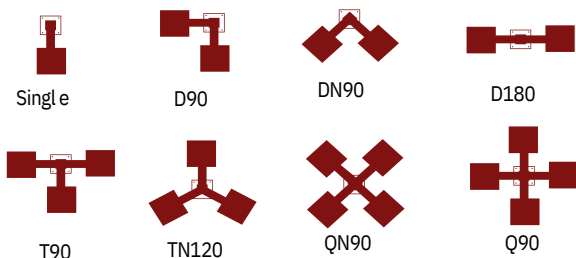
National Wind Velocity Map



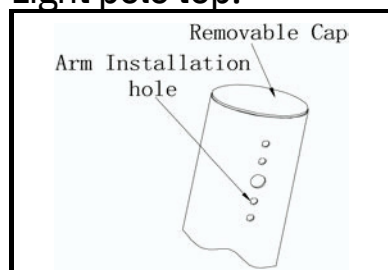
ORDERING EXAMPLE: UPP-RS10FP3-11G-D

UPP	RS	10FP	3	11G	D
Company	Product	Height	Size	Wall Thickness	Finish
United Pole Products	Round Steel pole	10FT (3.0M)	3 (3inch) 4 (4inch) 5 (5inch)	11 (11gauge)	D Dark Bronze
		15FT (4.6M)			
		20FT (6.1M)			
		25FT (7.6)			
		30FT (9.1M)			

Fixture Configurations:



Light pole top:



Installation:

1. Dig a hole in the installation position of the lamp pole. Fixed four fastener fittings according to the hole position of lamp pole and poured with cement concrete. (as shown in the figure)

2. Install 4 screws onto the stick and adjust to same water level, then place the square plate and screw tightly. Install the cover at the bottom of pole. (as shown in the figure)

Foundation reference specification

Specifications	L	W	H
10-15FT	19.69"(500mm)	19.69"(500mm)	23.62"(600mm)
20-25FT	23.62"(600mm)	23.62"(600mm)	27.56"(700mm)
30FT	27.56"(700mm)	27.56"(700mm)	27.56"(700mm)

ANCHORAGE GUIDE

9.85" (250mm)
6.89" (175mm)

9.85" (250mm)
6.89" (175mm)

Set Screws

3"X5" HAND HOLE COVER

Pole
Waterproof gasket
Hand hole cover

Flange base cover
Nut

BASE PLATE
3.15" BOLT PROJECTION

Base cover (4PCS)
The screw to adjust water level

CONCRETE